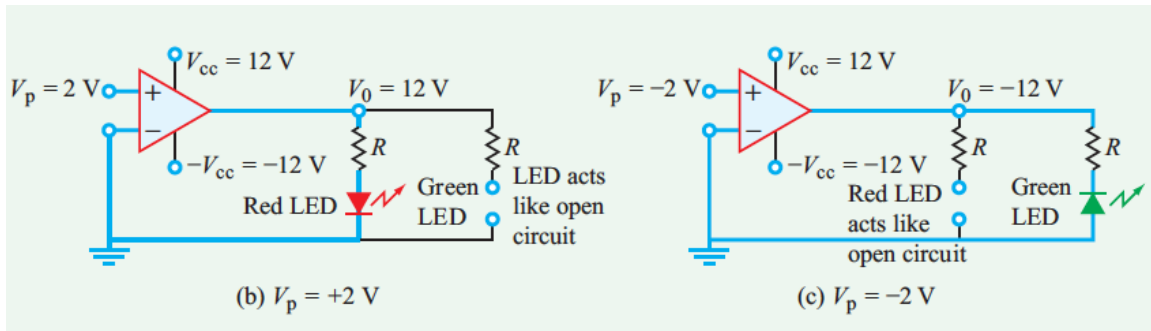


Concept Question 4-3: How is an op amp used as a switch?



When $V_p = +2\text{ V}$, the op amp causes the red LED to emit light. Switching to $V_p = -2\text{ V}$ causes the red LED to stop emitting and the green LED to start emitting.