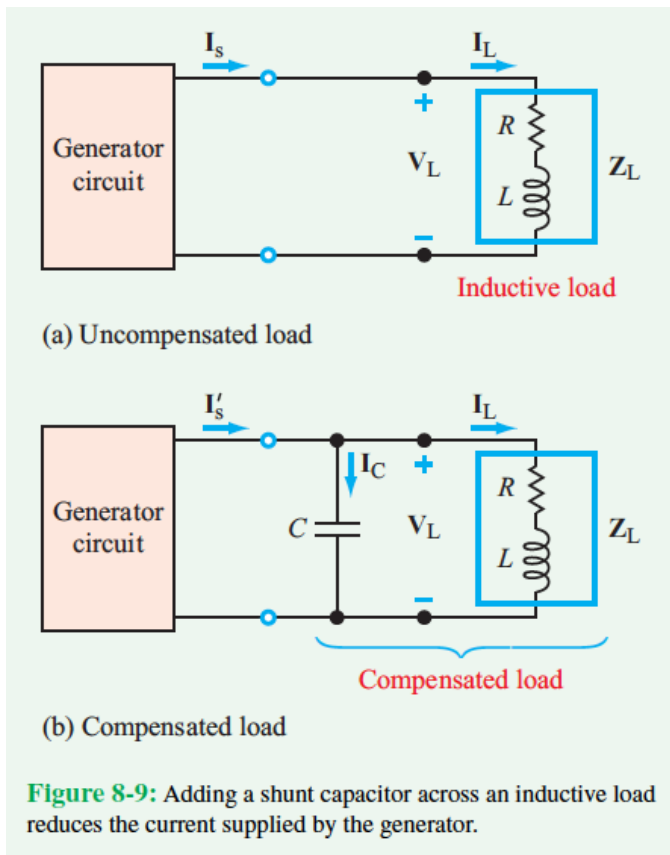


Concept Question 8-9: What is pf compensation, and why is it used?



pf compensation refers to increasing the power factor to a value closer to 1. For an inductive load, pf compensation is accomplished by adding a shunt capacitor in parallel with the load.